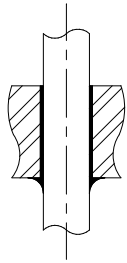
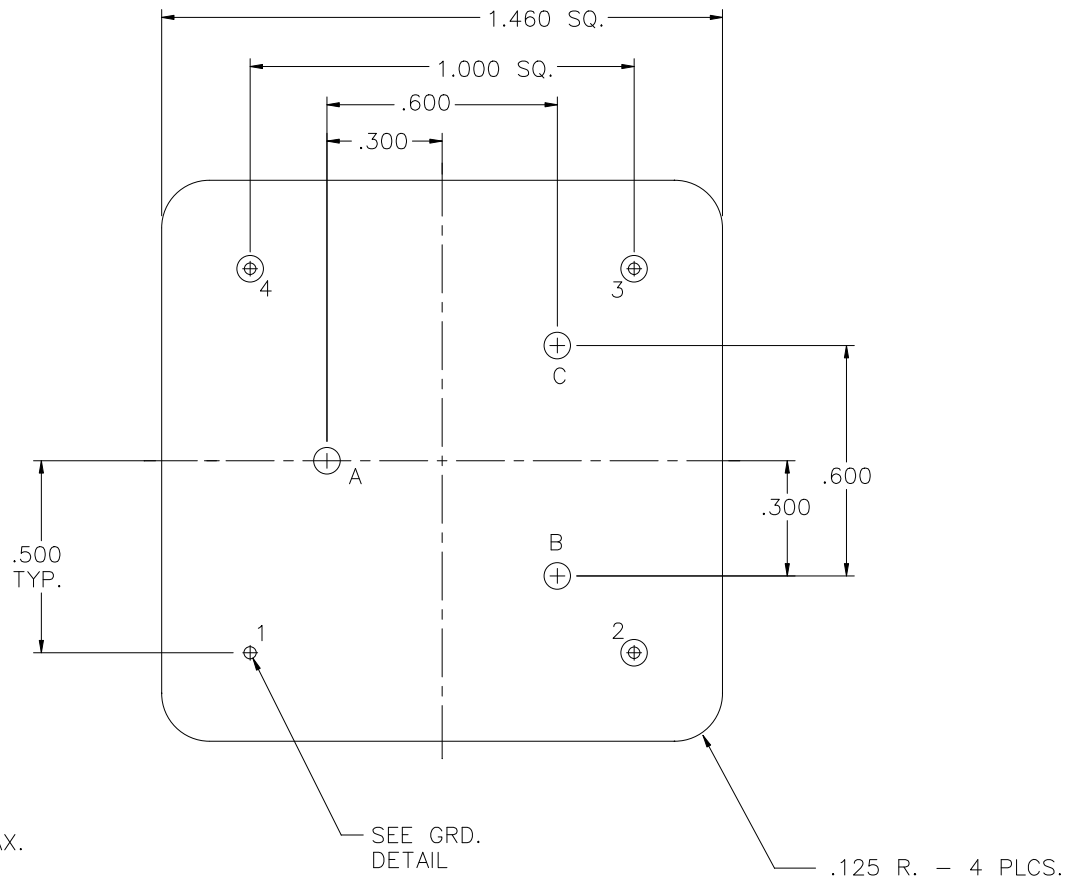
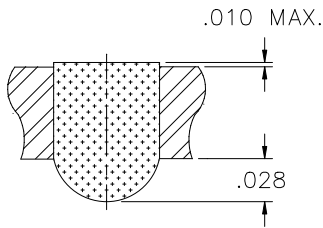


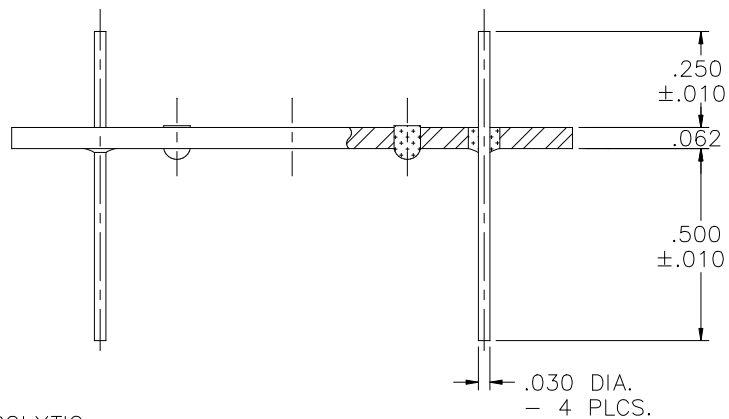
REV	DESCRIPTION OF REVISION	E.C.N.	BY	APPROVED	DATE
A	CORRECTED EYELET & S.O. DIMS.		T.J.M.		02-18-98



PIN 1 GRD. DETAIL
SCALE: 8:1



GLASS STANDOFF DETAIL
SCALE: 8:1




MATERIAL:

EYELET- 1010 C.R.S. OR EQUAL.
GLASS - 9013 OR EQUAL.
LEADS - ASTM F-30, 52 ALLOY.
BRAZE - BT VTG AG. CU. EUTECTIC.

PLATING:

1. 100 TO 350 MICROINCHES OF ELECTROLYTIC
SOLDER (63% TIN & 37% LEAD) AND REFLOW
PER MIL-P-81728.

DRAWN BY: TINA MOSS 02-06-98	MATERIAL: SEE ABOVE			TOLERANCING PER ANSI Y14.5 .X ±.005 .XXX ±.005 .XX ±.005 ANG ±5° UNLESS OTHERWISE SPECIFIED		 Legacy Technologies Inc.	6700 W. 47th TERR. MISSION, KS. 66203 TEL: 913-432-2487 FAX: 913-432-0570	
CHECKED BY: E.T.W. 02-06-98	APP. SPECS	SUPERSEDES	NEXT ASSY	SCALE: N.T.S.	FINISH: UNLESS OTHERWISE SPECIFIED		PART NUMBER:	
APPROVED BY:	TITLE: 1.460 SQUARE D.I.P.					DC-1460-G T10		A
						FILE: WA00023	PAGE	1 OF 1